



TITAN®

HIGH PERFORMANCE
PROTECTIVE COATINGS



POWRCOAT™ SERIES

The durability, reliability, and ease of operation that you need are built in to each unit. Severe Service™ means twice the life with half the maintenance. PowrCoat Sprayers have been used throughout the world, providing their owners with dependable, efficient operation.



Severe Service Fluid Section

Features self-adjusting packings.

Severe Service Piston Rod and Cylinder

Titan's proprietary hard-chrome plating is the hardest and slickest wear surface in the industry.

High Capacity Outlet Filter

Featuring 3 outlet ports, manual pressure relief/recirculation valve and easy-on/off filter element access.

Air Filter, Moisture Separator, Regulator and Lubricator

Included on all PowrCoat models.

Heavy-Duty Frame

Features large 16" pneumatic tires, convenient lift handles, heavy-duty crane hook and high capacity hose rack that holds up to 200 feet of 1/2" hose.

Severe Service™ Pump is Standard

A PowrCoat Piston

Engineered to provide unmatched chemical and solvent resistance while creating an ultra-smooth surface, providing less friction and wear.

B Tungsten Carbide Valve Seats

Provides maximum life and smooth, efficient operation with hardened stainless steel check balls.

*Alternate packing materials are available for specialized applications.

Easy-on, Easy-off,
Full-Sized Filter

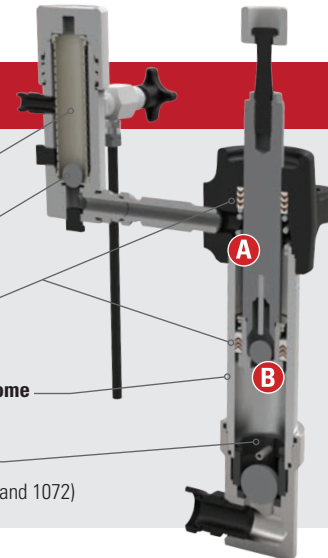
Stainless Steel
Ball Check Valve

Self-Adjusting,
Spring-Loaded Packings*

Severe Service™, Hard Chrome
Piston and Cylinder

Adjustable Ball Guide

(Models 730, 940, 1045, 1064 and 1072)



A SPRAYER FOR EVERY APPLICATION

HEAVY-DUTY HOSE WRAP & GUN HOLDER

Holds up to 200' of 1/2" hose.

HEAVY-DUTY CRANE HOOK

AIRCARE™ SYSTEM

- Complete FRL (Filter, Regulator, Lubricator) comes standard
- Automatic draining moisture trap
- Easy access air filter and lubrication reservoir

HIGH-EFFICIENCY ANTI-ICING MOTOR

PISTON LUBE™ SYSTEM
Easy access and visual piston lubrication reservoir.

HEAVY-DUTY METAL SHROUD

Protects FRL and air motor.

HIGH CAPACITY OUTLET FILTER

Reduces tip plugging.

INTEGRATED WALL MOUNT BRACKET

SEVERE SERVICE™ PUMP

LARGE, 16" PNEUMATIC TIRES

MATERIAL SUCTION FEED ASSEMBLY

5-gallon siphon tube, hose and suction filter screen.

LIFT HANDLES

MOUNTING BRACKET

HEAVY-DUTY CART

PowrCoat Technical Data

	630	730	745	940	960	975	1045	1064	1072
SPECIFICATIONS									
Air Motor Diameter (inches)	6	7	7	9	9	9	10	10	10
Ratio	30:1	30:1	45:1	40:1	60:1	75:1	45:1	64:1	72:1
Stroke Length (inches)	4.0	4.0	4.0	4.0	4.0	4.0	4.75	4.75	4.75
Max. Operating Pressure (PSI)	3480	3000	4500	4000	6000	7500	4500	6400	7200
Max. Air Input Pressure (PSI)	116	100	100	100	100	100	100	100	100
Volume Flow - 60 CPM	1 gal (3.6 l)/min	3 gal (10.7 l)/min	2 gal (7.3 l)/min	3 gal (10.7 l)/min	2 gal (7.3 l)/min	1.5 gal (5.7 l)/min	4 gal (15.2 l)/min	3 gal (11.3 l)/min	3 gal (10.0 l)/min
Approximate Air Requirement Per Gallon of Output @ 100 PSI (6.9 bar) Air Pressure	25.0 SCFM (0.71 m³/min)	28.0 SCFM (0.79 m³/min)	40.0 SCFM (0.79 m³/min)	36.4 SCFM (1.03 m³/min)	53.0 SCFM (1.50 m³/min)	67.9 SCFM (1.92 m³/min)	43.0 SCFM (1.22 m³/min)	57.7 SCFM (1.63 m³/min)	64.9 SCFM (1.84 m³/min)
Max. Recommended Air Volume Requirements (CFM)	40	112	148	145	148	142	172	174	175
Fluid Output Per Cycle (cc)	61	182	114	182	114	95	254	188	167
Cart Part Number	0533630C	0533730C	0533745C	0533940C	0533960C	0533975C	05331045C	05331064C	05331072C
Wall Mount Part Number	0533630W	0533730W	0533745W	0533940W	0533960W	0533975W	05331045W	05331064W	05331072W
55-Gallon Material Suction Feed Assembly Kit (Optional)	0533247 (¾")	103-808 (1")	103-808 (1")	103-808 (1")	103-808 (1")	103-808 (1")	0533259 (1")	0533259 (1")	0533259 (1")

Optional Liquids: Air Care 1qt (311-101), Piston Lube 1qt (700-926)

HYDRAULIC SPRAYERS

Hydraulic piston sprayers have been the choice for serious contractors for large scale residential, commercial, corrosion control and industrial applications.



■ PowrTwin 12000 Plus

PowrTwin 12000 Plus DI ■

PowrTwin 12000 Plus 0290016 12000 Plus DI 0290023

A powerhouse convertible hydraulic sprayer recommended for very large scale residential, commercial, corrosion control and industrial projects where up to 6 guns are needed.

PowrTwin 12000 Plus comes complete with S-5 Gun, 517 TR¹ Reversible Tip and 1/4" x 50' Airless Hose. PowrTwin 12000 Plus DI comes complete with S-5 Gun, 517 TR¹ Reversible Tip and 3/8" x 50' Airless Hose.



PowrBeast 9700 ■

PowrBeast™ 9700 0537007

Built with powerful HydraStroke™ Technology, Severe Service Fluid Section and a smart design that makes jobsite life easier the PowrBeast can tackle large residential, commercial and industrial projects with ease.

Comes complete with RX-Pro Gun, 517 TR¹ Reversible Tip and 1/4" x 50' Airless Hose.

	PowrTwin 12000 Plus	PowrTwin 12000 Plus DI
SPECIFICATIONS		
Max. Delivery - Gas	3.15 GPM	3.15 GPM
Max. Delivery - Electric	1.25 GPM	1.25 GPM
Max. Tip Size (1-Gun) - Gas	0.058"	0.058"
Max. Tip Size (2-Guns) - Gas	0.040"	0.040"
Max. Tip Size (1-Gun) - Electric	0.036"	0.036"
Max. Tip Size (2-Guns) - Electric	0.026"	0.026"
Max. Operating Pressure	3600 PSI	3600 PSI
Engine	270cc Honda® GX 270	270cc Honda GX 270
CONFIGURATIONS		
	PART NO.	PART NO.
With Gas Engine	0290016	0290023
ConvertoKit	0290311A	0290311A

	PowrBeast 9700
SPECIFICATIONS	
Max. Delivery	3.00 GPM
Max. Tip Size (1 Gun)	0.055"
Max. Tip Size (2 Guns)	0.039"
Max. Tip Size (3 Guns)	0.031"
Max. Tip Size (4 Guns)	0.027"
Max. Tip Size (5 Guns)	0.023"
Max. Operating Pressure	3300 PSI
Engine	270cc Honda GX 270
CONFIGURATIONS	
	PART NO.
PowrBeast 9700 Gas	0537007

HYDRA™ SERIES

Bridges, secondary containment, roofing, foundations and other large projects require the kind of hydraulic piston power only a Hydra can deliver. It is the ultimate hydraulic sprayer for any job where maximum power is required and dependability is critical.

Features:

Maximum Fluid Section Life

Titan's ultra slow-stroking hydraulic piston maximizes fluid section life and efficiency.

Designed for Ultra-Heavy Coatings

Including mastics, waterproofing and roof coatings.



High Production Unit

Handles all architectural coatings including epoxies and roof coatings.



High Performance

Great for hard to spray coatings, multiple guns and long hose lengths.

Hydra Pro IV 433-820

High production unit for all architectural coatings, dry wall mud, epoxies, most mastics and elastomeric coatings.



Hydra M 4000 433-801

Delivers the added pressure needed for hard to atomize coatings or long hose runs.



Hydra M 2000 433-860

High production sprayer for below grade waterproofing and roof coatings.



	Hydra Pro IV	Hydra M 2000	Hydra M 4000
SPECIFICATIONS			
Max. Delivery	2.50 GPM	6.00 GPM	3.30 GPM
Max. Tip Size	0.050"	0.075"	0.060"
Max. Operating Pressure	3300 PSI	2000 PSI	4000 PSI
Cycles Per Gallon	24	7	13
Engine	390cc Honda® GX390	390cc Honda® GX390	390cc Honda® GX390
CONFIGURATIONS			
Filter Model	433-820	----	433-801
3/4" Outlet Model	----	----	433-800
1" Outlet Model	----	433-860	----

Choose from the siphon hose or the remote direct immersion pump

Hydra M 4000 Remote 433-802



HELIX™ VR 2.3

The Helix VR 2.3 provides unmatched accuracy and heating efficiency. The key features provide balanced pressure, less wasted material, better coating performance, and the industry's first direct heat from the system all the way to the gun. With a user-friendly design – allowing for simple operation and inexpensive maintenance – the VR 2.3 offers better results and increased ROI.

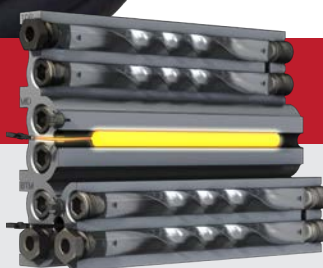


Smart Select Variable Ratio Controller

- Dual pump system allows for dynamic rationing from 1:1 to 1:4 and any ratio in between with no side loading of pumps or bearings
- Ratio is controlled by non-dosing technology.
- Precise controls achieve hard-to-set ratios.

The First Fully Integrated Electronically Controlled Dual Pump System Proportioner

- Continual communication between pumps
- Synchronizes ratio 64 times per motor revolution



SureFire™ Block Heater

Patented High Efficiency Aluminum Mass Heater

Wrap Around Design Provides Over 30 Seconds of Dwell Time

- Greater surface area to heat chemical
- Longer dwell time versus competitive one pass design
- Internal turbulence increases heat transfer

Heating Rod Completely Isolated From The Coating

- No failure from chemical contact
- No failure from exposure to air when run dry
- Change power or repair without opening the system
- Modular 4 block design heats with less power
- Requires a smaller generator than competitors



SureFire™ Hose Heater

- Actively controls temperature at the gun allows precise pressure management
- Heating element in the hose provides direct heat: Adds heat all the way to the end of the hose
- True chemical temperature measured at the gun

TITAN HAS JUST TAKEN DUAL COMPONENT APPLICATORS TO THE NEXT LEVEL

DELIVERING PERFORMANCE, DURABILITY AND ACCURACY NEVER BEFORE SEEN IN A VARIABLE RATIO PROPORTIONER.

Features:

Quad+ Packings™

- Self-adjusting UHMWPE packings deliver the best performance every time you spray
- Packings isolate the piston from the atmosphere and clean when cycling increasing life.

EasyOut™ Fluid Section

Change fluid section on-site in minutes and reduces downtime to keep you spraying.



Integrated Electronic Proportioning

Patented proprietary system synchronizes both pumps to maintain a superior ratio accuracy and eliminate side loading that prematurely wears fluid sections and bearings.

Fluid Pumps Main Supply Inlet

Large capacity 3/4" Y-filters and On/Off material supply valves allow for maximum material supply using drum transfer feed pumps. (See optional transfer pumps)

Electrical Power Connection

Direct wire into shorepower or generator electrical supply. System power plug standard. (Power cable not supplied)

Lightweight and Compact Design

30% lighter than most comparable equipment.

Multiple Applications



The Helix VR 2.3 is designed to spray two component fast-set coatings for:

- Corrosion Control
- Water Proofing
- Abrasion Resistance
- Containment
- Oil and Gas

SPECIFICATIONS		Helix VR 2.3
Max. Pressure		3300 PSI (22.8 MPa)
Max. Material Temp.		180°F (82°C)
Output		2.3 GPM (8.7 LPM)
Hose Length		Standard with 200' (60 m)
Footprint		30" x 27" x 37" (76.2 cm x 69 cm x 93 cm)
Weight		285 lbs (123 kg)
Electrical Supply		230 V (3) Phase 70 Amps (Will change with heater wattage)
CONFIGURATIONS		PART NO.
208 V, 3 Phase, 100' hose		0138059
208V, 3 Phase, 200' hose		0138013
208 V, 3 Phase, no hose		0138068
400 V, 3 Phase, 100' hose		0138060
400 V, 3 Phase, 200' hose		0138011

PMC AP2 Spray Gun 0138799

- Proven reliability
- Spray, blast and pour nozzles available
- 1.0 - 4.0 GPM and 10 - 40 lbs.
- Lightweight and compact
- Modular design for ease of maintenance



RX-APEX^o

AIRLESS SPRAY GUN



NEW

RX-Apex
Non-filtered Version



Infinity Packing[®]
2X the gun life by reversing the seat and changing the ball.



FingerPrint+ Grip[®]
Fully adjustable grip delivers maximum customization.



All-Day Trigger
28% lighter trigger pull force and 74% less hold force.



Free-Flow Swivel
Only direct-feed airless gun with built-in swivel.

- ▶ Filtered and non-filtered versions
- ▶ Pressure rated at 5000 PSI (34.5 MPa)

DESCRIPTION	PART NO.
Filtered Gun with TR ¹ Tip	0538075
Non-Filtered Gun with TR ¹ Tip	0538070

RX-PRO^{AE}

AIRLESS SPRAY GUN

Infinity Packing[®]
2X the gun life by reversing the seat and changing the ball.

FingerPrint Grip[®]
Customize the grip to comfortably fit any painter's hand.

Ultra-Light Trigger
30% lighter than the competitors trigger pull decreasing fatigue.

Onboard Tools
Smart tools that make jobsite life easier.

- ▶ Comes with both 2 and 4-finger trigger
- ▶ Pressure rated at 3600 PSI (24.8 MPa)



DESCRIPTION	PART NO.
RX-Pro Airless Gun with TR ¹ Tip	0538020
RX-Pro Gun, Hose and Tip Kit*	0538022
RX-Pro Ball Valve	0538221
RX-Pro Seat	594-033
RX-Pro Packing Seal Assy.	0538204A

*Includes additional a 3' whip hose.

RX-80^o

AIRLESS SPRAY GUN

Comfort Grip[™]
Ergonomic design brings added comfort.

Longer Life Packing Kit
Lasts longer with improved performance.

Onboard Tools
Smart tools that make jobsite life easier.

- ▶ Comes with 2 or 4-finger trigger
- ▶ Pressure rated at 3600 PSI (24.8 MPa)



DESCRIPTION	PART NO.
RX-80, 4-Finger with TR ¹	0538005
RX-80, 2-Finger with TR ¹	0538006
RX-80, 4-Finger with SC-6+	0538007
RX-80, 2-Finger with SC-6+	0538008
RX-80, 4-Finger, Hose and Tip Kit with TR ¹ *	0538010
RX-80, 4-Finger, Hose and Tip w/ SC-6+*	0538011
RX-80 Repair Kit	0538215

*Includes additional a 3' whip hose and a 2-finger trigger.

SPRAY SPECIALIZED COATINGS WITH EASE

Titan S-Series stainless steel spray guns hold up under extreme pressure and built for contractors that need to spray at pressures from 3900 PSI to 7700 PSI. The S-Series can handle corrosive coatings due to the stainless steel fluid passage. The Tungsten Carbide ball valve and seat will ensure long life and durability. Just pull the trigger and the Titan S-Series spray guns will deliver an excellent finish.

S-7 Airless Gun

- In-handle filter
- Available in two swivel sizes
- Easy 4-finger trigger pull
- Swivel reduces hose kinks
- Includes 517 TR¹ high pressure, heavy-duty reversible tip and guard
- Pressure rated at 7700 PSI (53.1 MPa)



DESCRIPTION	PART NO.
S-7 Gun with 1/4" Swivel	550-260
S-7 Gun with 3/8" Swivel	550-270
S-7 Repair Kit	550-276

Panther P200Z

- Acetal tipped fluid nozzle prevents plating
- PTFE packing increases spraying time between maintenance
- The PTFE anodized body and air cap extends the life of the gun



DESCRIPTION	PART NO.
Panther Zinc Rich Gun	P200Z
Panther 200Z Repair Kit	10-108

Air and Fluid Hose

DESCRIPTION	PART NO.
25' x 3/8" Fluid Hose	0277348
25' x 3/8" Air Hose	0550893

M-4 and M-8 Mastic Guns

- Straight line fluid passage allows max flow rate
- Angled handle for increased comfort
- Adjustable needle packing prolongs the life of critical wear parts
- Swivel allows freedom of movement without hose kinking
- Lightweight metal construction



DESCRIPTION	PSI	PART NO.
M-4 Mastic Gun w/ 3/8" Swivel	3600 (24.8 MPa)	0289013
M-8 Mastic Gun w/ 1/4" Swivel	7700 (53.1 MPa)	0289014
M-4 / M-8 Repair Kit	---	2347489

Agitated Pressure Pot

These durable pressure tanks are constructed from stainless steel inside and out.



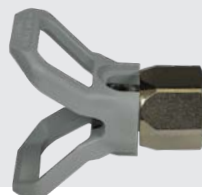
DESCRIPTION	PART NO.
2.5 Gallon SST Pressure Pot with Pneumatic Agitator and Dual Regulator	51-804
5 Gallon SST Pressure Pot with Pneumatic Agitator and Dual Regulator	51-854
12.5 Gallon Pressure Pot with Pneumatic Agitator and Dual Regulator	51-884

Not ASME standard

Tip Guards

High Pressure Tip Guard (7/8") 661-027

- Interchangeable with most industry spray guns
- Pressure rated at 7700 PSI (53 MPa)



No Build Tip Guard (7/8") 0289228

- Interchangeable with most industry spray guns
- Pressure rated at 5000 PSI (34.5 MPa)



TR¹ REVERSIBLE TIP

- ▶ The best overall performing tip in the industry
- ▶ Fan pattern stays wider longer
- ▶ An orifice that outlasts competitive tips delivering consistent film thickness and less wasted paint
- ▶ Fits all Titan and most other industry spray gun guards



TR¹ Tips 695-XXX

		ORIFICE SIZE (INCHES)										
		INCHES	MM	0.009	0.011	0.013	0.015	0.017	0.019	0.021	0.025	0.027
FAN PATTERN WIDTH	2-4	51-102										
	4-6	102-152	209	211	213	215	217					
	6-8	152-203		311	313	315	317					
	8-10	203-254		411	413	415	417					
	10-12	254-305			513	515	517	519	521	525		
	12-14	305-356										627
	Flow (GPM)	---	0.09	0.12	0.18	0.24	0.31	0.39	0.47	0.67	0.78	
	Flow (LPM)	---	0.34	0.45	0.68	0.91	1.17	1.47	1.78	2.53	2.95	

Maximum Working Pressure: 5000 PSI (34.5 MPa)

TR¹ High Pressure Tips 696-XXX

		ORIFICE SIZE (INCHES)																						
		INCHES	MM	0.007	0.009	0.011	0.013	0.015	0.017	0.019	0.021	0.023	0.025	0.027	0.029	0.031	0.033	0.035	0.037	0.039	0.043	0.045	0.051	0.055
FAN PATTERN WIDTH	2-4	51-102	107	109	111	113	115	117	119															
	4-6	102-152		209	211	213	215	217	219	221	223	225	227											
	6-8	152-203			311	313	315	317	319	321	323	325	327	329	331	333	335	337	339					
	8-10	203-254			411	413	415	417	419	421	423	425	427	429	431	433	435		439	443	445			455
	10-12	254-305		509		513	515	517	519	521	523	525	527	529	531	533	535	537	539	543	545			555
	12-14	305-356		609	611	613	615	617																655
	14-16	356-406						717	719	721	723	725	727		731	733	735							
	16-18	406-457							817	819	821							835	837	839				
	18-20	457-508										923	925	927		931			937					
		Flow (GPM)	---	0.05	0.09	0.13	0.18	0.24	0.31	0.39	0.47	0.57	0.67	0.78	0.91	1.03	1.17	1.32	1.40	1.64	1.99	2.18	2.91	3.26
	Flow (LPM)	---	0.19	0.34	0.45	0.68	0.91	1.17	1.47	1.78	2.15	2.53	2.95	3.44	3.89	4.42	4.99	5.29	6.20	7.52	8.24	11.00	12.32	

Maximum Working Pressure: 7700 PSI (53.1 MPa)

SC-6+ REVERSIBLE TIP

- ▶ The industry's longest-lasting orifice
- ▶ Up to 22% wider fan pattern
- ▶ Fits all Titan and most industry standard guards



SC-6+ Tips 662-XXX

		ORIFICE WIDTH (INCHES)																					
		INCHES	MM	0.007	0.009	0.011	0.013	0.015	0.017	0.019	0.021	0.023	0.025	0.027	0.029	0.031	0.033	0.035	0.039	0.043	0.045	0.051	0.055
FAN PATTERN WIDTH	2-4	51-102	107	109	111	113	115	117															
	4-6	102-152	207	209	211	213	215	217	219	221	223	225	227	229	231	233	235						
	6-8	152-203	307	309	311	313	315	317	319	321	323	325	327	329	331	333	335						
	8-10	203-254	407	409	411	413	415	417	419	421	423	425	427	429	431	433	435	439	443	445	451	455	
	10-12	254-305		509	511	513	515	517	519	521	523	525	527	529	531	533	535	539	543	545	551	555	
	12-14	305-356		609	611	613	615	617	619	621	623	625	627	629	631	633	635	639	643	645	651	655	
	14-16	356-406							719	721					731	735							
	16-18	406-457								821					831								
		Flow (GPM)	---	0.05	0.09	0.12	0.18	0.24	0.31	0.39	0.47	0.57	0.67	0.78	0.91	1.03	1.17	1.32	1.64	1.99	2.18	2.80	3.26
		Flow (LPM)	---	0.19	0.34	0.45	0.68	0.91	1.17	1.47	1.78	2.15	2.53	2.95	3.44	3.89	4.42	4.99	6.20	7.52	8.24	10.58	12.32

Maximum Working Pressure: 5000 PSI (34.5 MPa)

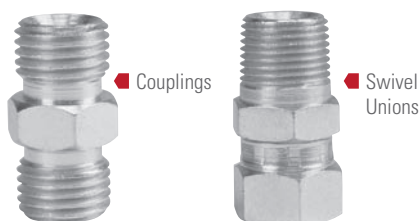
Couplings

HOSE TO HOSE	
DESCRIPTION	PART NO.
1/4" NPS(M) x 1/4" NPS(M)	05045
1/4" NPT(M) x 3/8" NPS(M)	812-003
3/8" NPS(M) x 3/8" NPS(M)	490-014
1/2" NPT(M) x 1/2" NPS(M)	449-621

Maximum Working Pressure: 5000 PSI (34.5 MPa)

HIGH PRESSURE HOSE TO HOSE	
DESCRIPTION	PART NO.
1/4" NPTF(M) x 1/4" NPTF(M)	9885642
3/8" NPTF(M) x 3/8" NPTF(M)	9885643
1/2" NPTF(M) x 1/4" NPTF(M)	9885644
3/4" NPTF(M) x 1/2" NPTF(M)	9885645
3/8" NPTF(M) x 1/4" NPTF(M)	9885646
1/2" NPTF(M) x 3/8" NPTF(M)	9885647
1/2" NPTF(M) x 1/2" NPTF(M)	9885648

Maximum Working Pressure: 7500 PSI (51.7 MPa)



Couplings

Swivel Unions

Swivel Unions

DESCRIPTION	PART NO.
1/4" NPS(F) x 1/4" NPT(M)	490-005
3/8" NPS(F) x 1/4" NPT(M)	490-042
1/4" NPS(F) x 3/8" NPT(M)	490-032
3/8" NPS(F) x 3/8" NPT(M)	490-043
1/2" NPS(F) x 1/2" NPT(M)	200-555
3/4" NPS(F) x 3/4" NPT(M)	138-037
1" NPS(F) x 1" NPT(M)	200-556

Maximum Working Pressure: 5000 PSI (34.5 MPa)

Swivel Fittings

DESCRIPTION	PART NO.
1/4" NPS(F) x 1/4" NPS(F)	500-428
1/4" NPS(M) x 1/4" NPS(M)	500-424

Maximum Working Pressure: 5000 PSI (34.5 MPa)

Liquids

MESH	PART NO.
AirCare™ 1 Qt. Bottle	311-101
Piston Lube™ 1 Qt. Bottle	700-926
Liquid Shield™ Plus 1 Qt. Bottle	314-482
Part Renu™ Starter Kit	0521010
Part Renu 1 Gallon Refill Bottle	0521423

Gun and Pump Filters

Titan's unthreaded filters are designed for quick and easy replacement.

For use with RX-Pro, RX-80 G-10, LX-30, LX-40, LX-50, LX-70, S-3 and S-7.

UNTHREADED		
FILTERS	BULK PART NO.	2-PACK PART NO.
Coarse (Green)*	581-059	0089957
Medium (White)	581-060	0089958
Fine (Yellow)	581-062	0089959
Extra Fine (Red)	581-061	0089960

*Manifold filter for Advantage 400.



For use with LX-80^{II} and LX-80 Platinum.

THREADED		
FILTERS	BULK PART NO.	2-PACK PART NO.
Coarse (Green)*	540-030	500-200-03
Medium (White)	540-060	500-200-06
Fine (Yellow)	540-100	500-200-10
Extra Fine (Red)	540-150	500-200-15

*Manifold filter for 440i and Impact 400.



Pump Manifold Filters

For use on all PowrTwin and PowrCoat models.

MESH	PART NO.
60-Mesh	0533513
Filter Support	0533514
Coarse-5 Mesh	920-001
Medium-50 Mesh*	920-004
Fine-100 Mesh	920-005

*Standard with sprayer, excludes ball.
Ball check sold separately (920-103).



Stainless Steel Gun Extensions

High Pressure, Stainless Steel Gun Extensions

When you need something a little more heavy duty. Can be used with most brands of airless spray guns.

Pressure rated at 7700 PSI (53.1 MPa).

7/8" x 14 Thread is Standard

DESCRIPTION	PART NO.
6" (15 cm)	611-280
12" (30 cm)	611-281
18" (45 cm)	611-282
24" (60 cm)	611-283

High Pressure Ball Valve

FITTING SIZE	PSI	MPa	PART NO.
1/4"	6000	41.4	0533358
1/4"	7500	51.7	0533348
3/8"	6000	41.4	0533359
3/8"	7500	51.7	0533347

THE RIGHT EQUIPMENT FOR THE JOB



High Quality Airless Fluid Hoses and Whip Hoses

I.D.	LENGTH		MAX. WORKING PRESSURE - PSI (MPa)					END CONNECTION
			3300 (22.8)	3600 (24.8)	4500 (31.0)	6500 (44.8)	7500 (51.7)	
	FEET	METERS	PART NO.	PART NO.	PART NO.	PART NO.	PART NO.	
1/8"	3	0.9	---	---	0290685	---	---	1/4" NPSM (F/M)
	3	0.9	0291004	---	---	---	---	1/4" NPSM (F/M)
3/16"	5	1.5	316-506	---	---	---	---	1/4" NPSM (F/M)
	9	2.7	550-222	---	---	---	---	1/4" NPSM (F/M)
	25	7.6	0291007	---	---	---	---	1/4" NPSM (FBE)
	50	15.2	0291008	---	---	---	---	1/4" NPSM (FBE)
	3	0.9	---	---	250450003	250650003	250750003	1/4" NPSM (FBE)
1/4"	6	1.8	316-533*	---	250450006	250650006	250750006	1/4" NPSM (FBE)
	6	1.8	550-227	---	---	---	---	1/4" NPSM (F/M)
	25	7.6	316-513	---	---	---	---	1/4" NPSM (FBE)
	50	15.2	316-505	0286498	250450050	250650050	250750050	1/4" NPSM (FBE)
	100	30.5	---	---	250450010	250650010	250750010	1/4" NPSM (FBE)
3/8"	6	1.8	---	---	375450006	375650006	375750006	3/8" NPSM (FBE)
	25	7.6	0508342	---	---	---	---	3/8" NPSM (FBE)
	50	15.2	0291006	0286499	375450050	375650050	375750050	3/8" NPSM (FBE)
	100	30.5	---	---	375450010	375650010	375750010	3/8" NPSM (FBE)
1/2"	25	7.6	225-112*	---	---	---	---	1/2" NPSM (FBE)
	50	15.2	250-112*	---	500450050	500650050	500750050	1/2" NPSM (FBE)
	100	30.5	---	---	500450010	500650010	500750010	1/2" NPSM (FBE)
3/4"	50	15.2	---	---	---	750650050	---	3/4" NPSM (FBE)

*Textile Braid. Spring guards at both ends.

FBE Female Both Ends, NPT National Pipe Tapered Thread, NPSM National Pipe Straight Mechanical Thread, MBE Male Both Ends, F/M 1 Female / 1 Male Connection

Moisture Resistant Hose

DESCRIPTION	PART NO.
3/8" x 7500 PSI x 50'	375750050ML
1/2" x 7500 PSI x 50'	500750050ML



It's now easy to find the proper high pressure hose.

High Pressure Airless Hoses

Our new high pressure hoses are color-coded by pressure rating, making it easier to organize, identify and purchase.

First 3 digits indicate fitting or thread size, next 4 digits indicate max. PSI rating, last 2 digits indicate length.

INTERNAL DIAMETER	FIRST 3	PRESSURE	NEXT 4	LENGTH	LAST 2
1/4"	250	4500	4500	3	03
3/8"	375	6500	6500	6	06
1/2"	500	7500	7500	50	50



Example: 1/4" X 50' 4500 PSI hose will be P/N 250450050

PUSHING THE LIMITS OF PERFORMANCE



Transfer Pumps

The Titan TT1 and TT2 Transfer Pumps are designed to pump extremely viscous products. The Transfer Pumps are comprised of two components: an air motor and a fluid pump. The pneumatic-powered air motor drives a piston within the fluid pump that creates suction and can draw material from large containers and deliver the material to an outside system.

DESCRIPTION	TT1	TT2
Ratio	1:1	2:1
GPM/LPM	4 GPM/15.1 LPM	4 GPM/15.1 LPM
Air Motor Size	2"	2.5"
Height (inches)	54" (137cm)	54" (137cm)
Trailer Height	78" (198cm)	78" (198cm)
Packing Material	PTFE	PTFE
Pump Material	SST	SST
Maximum Temperature	190°F (88°C)	190°F (88°C)
Maximum Inbound Air Pressure	100 PSI	100 PSI
Maximum Fluid Pressure	100 PSI	200 PSI
55 Gallon Part Number	0138762	0138760



Agitator

The Titan air driven agitator is intended for use in maintaining proper suspension and mix with industrial paints and coatings.

DESCRIPTION	5 GALLON	55 GALLON
Model	Titan	Titan
Time to Mix Drum (minutes)	20-25	20-25
Air Consumption	6@100 PSI (.17m ³ /min @ 7 BAR)	6@100 PSI (.17m ³ /min @ 7 BAR)
Wetted Parts	SST	SST
Blade Style	Expanding	Expanding
Maximum Temperature	190°F (88°C)	190°F (88°C)
Part Number	0533002	0533003

SPECIFICATIONS

Gas and Convertible



	PowrBeast 9700	PowrTwin 12000 Plus	PowrTwin 12000 Plus DI	Hydra Pro IV	Hydra M 4000	Hydra M 2000
Part Number - Gas	0537007	0290016	0290023	433-820	433-801	433-860
Max Delivery (GPM) - Gas	3.00 (11.4 LPM)	3.15 (11.9 LPM)	3.15 (11.9 LPM)	2.50 (9.5 LPM)	3.30 (12.5 LPM)	6.00 (22.7 LPM)
Max Delivery (GPM) - Electric	----	1.25 (4.7 LPM)	1.25 (4.7 LPM)	----	----	----
Max Tip Size, 1-Gun - Gas	0.055"	0.058"	0.058"	0.050"	0.060"	0.075"
Max Tip Size, 2-Guns - Gas	0.039"	0.040"	0.040"	0.035"	0.040"	0.053"
Max Tip Size, 3-Guns - Gas	0.031"	0.034"	0.034"	0.029"	0.035"	----
Max Tip Size, 4-Guns - Gas	0.027"	0.030"	0.030"	0.025"	0.029"	----
Max Tip Size, 5-Guns - Gas	0.023"	0.026"	0.026"	0.021"	0.025"	----
Max Tip Size, 6-Guns - Gas	----	0.024"	0.024"	----	----	----
Max Tip Size, 1-Gun - Electric	----	0.036"	0.036"	----	----	----
Max Tip Size, 2-Guns - Electric	----	0.026"	0.026"	----	----	----
Max. Operating Pressure (PSI)	3300 (22.8 MPa)	3600 (26.4 MPa)	3600 (26.4 MPa)	3300 (22.8 MPa)	4000 (27.6 MPa)	2000 (13.8 MPa)
Engine	270cc Honda® GX270	270cc Honda® GX 270	270cc Honda® GX 270	270cc Honda® GX 270	390cc Honda® GX 390	390cc Honda® GX 390
Electric Motor	----	2.0 HP TEFC DC	2.0 HP TEFC DC	----	----	----
Max. Hose Length	300' (91.4 m)	400' (121.9 m)	400' (121.9 m)	300' (91.4 m)	300' (91.4 m)	400' (121.9 m)
Paint Outlet - Filter Element	300' (91.4 m)	50-Mesh	50-Mesh	50-Mesh	50-Mesh	50-Mesh
Paint Outlet - Filter Area	18-inches ² (45.7 cm ²)	18-inches ² (45.7 cm ²)	18-inches ² (45.7 cm ²)	18-inches ² (45.7 cm ²)	18-inches ² (45.7 cm ²)	18-inches ² (45.7 cm ²)
Weight - Gas (lbs)	199 (90kg)	182 (82.6 kg)	188 (85.3 kg)	350 (159 kg)	370 (168.2 kg)	385 (175 kg)
Weight - Electric (lbs)	----	188 (85.3 kg)	192 (87.1 kg)	----	----	----
Dimensions (H x W x L) - Unit	24" x 30" x 27" (61 x 76 x 68.5 cm)	35" x 27" x 46" (89 x 68.5 x 117 cm)	35" x 27" x 46" (89 x 68.5 x 117 cm)	24" x 30" x 27" (61 x 76 x 68.5 cm)	35" x 27" x 37" (89 x 68.5 x 18 cm)	35" x 27" x 37" (89 x 68.5 x 18 cm)
Gun Included	RX-Pro	S-5	S-5	----	----	----
TR ¹ Tip Included	517	517	517	----	----	----
Airless Hose Included	1/4" x 50'	1/4" x 50'	3/8" x 50'	----	----	----

Helix VR 2.3

	Helix VR 2.3
Max. Pressure	3300 PSI (22.8 MPa)
Max. Material Temp.	180°F (82°C)
Output	2.3 GPM (8.7 LPM)
Hose Length	Standard with 200' (60 m)
Footprint	30" x 27" x 37" (76.2 cm x 69 cm x 93 cm)
Weight	285 lbs (123 kg)
Electrical Supply	230 V (3) Phase 70 Amps (Will change with heater wattage)
Configurations	
208 V, 3 Phase, 100' hose	0138059
208 V, 3 Phase, 200' hose	0138013
208 V, 3 Phase, no hose	0138068
400 V, 3 Phase, 100' hose	0138060
400 V, 3 Phase, 200' hose	0138011



Pneumatic



	PowrCoat 630	PowrCoat 730	PowrCoat 745	PowrCoat 940	PowrCoat 960	PowrCoat 975	PowrCoat 1045	PowrCoat 1064	PowrCoat 1072
Model Number (Cart)	0533630C	0533730C	0533745C	0533940C	0533960C	0533975C	05331045C	05331064C	05331072C
Model Number (Wall)	0533630W	0533730W	0533745W	0533940W	0533960W	0533975W	05331045W	05331064W	05331072W
Pressure Ratio	30:1	30:1	45:1	40:1	60:1	75:1	45:1	64:1	72:1
Max. Operating Pressure	3480 PSI (240 bar)	3000 PSI (207 bar)	4500 PSI (310 bar)	4000 PSI (276 bar)	6000 PSI (414 bar)	7500 PSI (517 bar)	4500 PSI (310 bar)	6400 PSI (441 bar)	7200 PSI (496 bar)
Max. Air Inlet Pressure	116 PSI (8 bar)	100 PSI (6.9 bar)	100 PSI (6.9 bar)	100 PSI (6.9 bar)	100 PSI (6.9 bar)	100 PSI (6.9 bar)	100 PSI (6.9 bar)	100 PSI (6.9 bar)	100 PSI (6.9 bar)
Cycle Rate (Per Gallon/Liter)	63 / 16	21.2 / 5.6	31.1 / 8.2	21.2 / 5.6	31.1 / 8.2	39.6 / 10.5	15 / 3.9	20 / 5.3	22.5 / 5.9
Volume (Per Double Stroke)	60.8 cc	178.3 cc	121.6 cc	178.3 cc	121.6 cc	95.5 cc	253.8 cc	188.5 cc	167.1 cc
Maximum Volume Flow @ Cycles Per Minute (CPM)									
60 CPM	0.96 gal (3.6 l)/min	2.8 gal (10.7 l)/min	1.9 gal (7.3 l)/min	2.8 gal (10.7 l)/min	1.9 gal (7.3 l)/min	1.5 gal (5.7 l)/min	4.0 gal (15.2 l)/min	3.0 gal (11.3 l)/min	2.7 gal (10.0 l)/min
Fluid and Air Specifications									
Inlet	3/4" NPT(F)	1" NPT(F)	1" NPT(F)	1" NPT(F)	1" NPT(F)	1" NPT(F)	3/4" NPT(F)	3/4" NPT(F)	3/4" NPT(F)
Outlet	3/8" NPT(F)	1/2" NPT(F)	1/2" NPT(F)	1/2" NPT(F)	1/2" NPT(F)	1/2" NPT(F)	3/4" NPT(F)	3/4" NPT(F)	3/4" NPT(F)
Hose Connection	1/4" NPSM(M)	3/8" NPSM(M)	3/8" NPSM(M)	3/8" NPSM(M)	3/8" NPSM(M)	3/8" NPSM(M)	3/8" NPSM(M)	3/8" NPSM(M)	3/8" NPSM(M)
Approximate Air Requirement Per Gallon of Output @ 100 PSI (6.9 bar) Air Pressure	25 SCFM (0.71m ³ /min)	28 SCFM (0.79m ³ /min)	40 SCFM (1.13m ³ /min)	36.4 SCFM (1.03m ³ /min)	53 SCFM (1.50m ³ /min)	67.9 SCFM (1.92m ³ /min)	43 SCFM (1.22m ³ /min)	57.7 SCFM (1.63m ³ /min)	64.9 SCFM (1.84m ³ /min)
Air Inlet	3/8" NPT(M)	3/4" NPT(M)	3/4" NPT(M)	3/4" NPT(M)	3/4" NPT(M)	3/4" NPT(M)	3/4" NPT(M)	3/4" NPT(M)	3/4" NPT(M)
Max. Sound Pressure Level	98 dB*	106 dB*	106 dB*	106 dB*	102 dB*	104 dB*	98 dB*	98 dB*	98 dB*
Max. Temperature	140° F (60° C)	140° F (60° C)	140° F (60° C)	140° F (60° C)	140° F (60° C)	140° F (60° C)	160° F (71° C)	160° F (71° C)	160° F (71° C)
Filter Insert (Standard)	60-Mesh, 97 cm ² (15 in ²)	50-Mesh (18 in ²)	50 mesh (18 in ²)	50-Mesh (18 in ²)	50-Mesh (18 in ²)	50-Mesh (18 in ²)	60-Mesh, 97 cm ² (15 in ²)	60-Mesh, 97 cm ² (15 in ²)	60-Mesh, 97 cm ² (15 in ²)
Weight									
Cart	90 lbs (41 kg)	132 lbs (59.9 kg)	133 lbs (60.3 kg)	140 lbs (63.5 kg)	139 lbs (63 kg)	135 lbs (61.2 kg)	195 lbs (88.4 kg)	195 lbs (88.4 kg)	195 lbs (88.4 kg)
Wall	64 lbs (29 kg)	92 lbs (41.7 kg)	93 lbs (42.2 kg)	100 lbs (45.3 kg)	98 lbs (44.4 kg)	95 lbs (43.1 kg)	154 lbs (69.8 kg)	154 lbs (69.8 kg)	154 lbs (69.8 kg)
Dimensions (L x W x D)									
Cart	19.75 x 18.5 x 40" (50.16 x 47 x 101.6 cm)	34.75 x 26.25 x 49" (88.3 x 66.7 x 124.5 cm)	34.75 x 26.25 x 49" (88.3 x 66.7 x 124.5 cm)	34.75 x 26.25 x 49" (88.3 x 66.7 x 124.5 cm)	34.75 x 26.25 x 49" (88.3 x 66.7 x 124.5 cm)	34.75 x 26.25 x 49" (88.3 x 66.7 x 124.5 cm)	33.5 x 31.35 x 539.9" (85.09 x 79.63 x 136.90 cm)	33.5 x 31.35 x 539.9" (85.09 x 79.63 x 136.90 cm)	33.5 x 31.35 x 539.9" (85.09 x 79.63 x 136.90 cm)
Wall	14.5 x 12 x 34.5" (36.8 x 30.5 x 87.6 cm)	19.25 x 13.5 x 41.5" (48.9 x 34.3 x 105.4 cm)	19.25 x 13.5 x 41.5" (48.9 x 34.3 x 105.4 cm)	19.25 x 13.5 x 41.5" (48.9 x 34.3 x 105.4 cm)	19.25 x 13.5 x 41.5" (48.9 x 34.3 x 105.4 cm)	19.25 x 13.5 x 41.5" (48.9 x 34.3 x 105.4 cm)	19.3 x 16.08 x 46.76" (49.02 x 40.84 x 118.77 cm)	19.3 x 16.08 x 46.76" (49.02 x 40.84 x 118.77 cm)	19.3 x 16.08 x 46.76" (49.02 x 40.84 x 118.77 cm)
Repair Parts									
55-Gallon Siphon Set	0533248	103-826	103-826	103-826	103-826	103-826	0533259	0533259	0533259
Packing Kit	0533934	185-050	155-050	185-050	155-050	140-052	0533936	0533937	0533938
Piston Rod	0533609	185-984A	155-982	185-984A	155-982	138-917	0533677	0533689	0533939
Cylinder	0533608	183-930	155-932	183-930	155-932	140-922	0533676	0533688	0533699

WEAR GUARD

CONVENIENCE PROGRAM

PLATINUM PROGRAM

GET A SPARE FLUID SECTION
and save up to 80% off
when you purchase a qualifying sprayer below:

LEVEL 1	Impact® 400	\$109⁹⁵ USD* (\$149.08 CAD)
LEVEL 2	Impact 440, 540, 640, 740, 840; MultiFinish® 440; GPX 85; PowrLiner® 2850	\$224⁹⁵ USD* (\$305.02 CAD)
<p>THE IMPACT 440, 540 and 640 FLUID SECTIONS INCLUDES \$375 in ADDED FEATURES</p> <p><small>MANIFOLD FILTER HOUSING PRESSURE TRANSDUCER SUREFLO™ PUSHER VALVE PRIME SPRAY VALVE</small></p>		
LEVEL 3	Impact 1040, 1140; GPX 130	\$249⁹⁵ USD* (\$338.92 CAD)
LEVEL 4	GPX 165, 220; PowrTwin® 4900, 6900, 8900, 12000 Plus; PowrLiner™ 4955, 6955, 8955; PowrTex® 1200F	\$324⁹⁵ USD* (\$440.61 CAD)
LEVEL 5	PowrBeast™ 4700, 4700T, 7700, 9700	\$349⁹⁵ USD* (\$475.93 CAD)
LEVEL 6	AirCoat® 423, 620; PowrCoat™ 630	\$399⁹⁵ USD* (\$542.31 CAD)
LEVEL 7	PowrCoat™ 730, 745, 940, 960, 975, 1045, 1064, 1072; Hydra™ Pro IV	\$599⁹⁵ USD* (\$813.49 CAD)

*Tax not included. Prices subject to change.

ELITE PROGRAM

GET A PERMASTROKE™ KIT
And save up to 55% off
when you purchase a qualifying sprayer below:

LEVEL 1	AirCoat™	\$79⁹⁵ USD* (\$107.94 CAD)
LEVEL 2	Elite™ 3500; PowrLiner™ 3500	\$109⁹⁵ USD* (\$149.08 CAD)

PLATINUM FIELD SERVICEABLE FLUID SECTION

When you purchase a new Titan sprayer, be sure to take advantage of our exclusive WearGuard Platinum or Elite Program. You can save big on a spare fluid section or PermaStroke kit.

Save yourself the time and frustration of making an extra trip and waiting for parts to arrive. The replacement is quick and easy, requiring no special tools.



CONNECTOR APP
Available for download
theconnectorapp.com

Call Technical Services at
1-800-526-5362
for complete warranty information.

All information contained in this brochure is based on the latest information available at the time of printing. Titan reserves the right to make changes at any time, without notice. Due to continuous innovation, specifications may progressively change. Contact one of our dependable sales reps or call our dedicated customer service team for more information.